



Residual current operated circuit breaker, 4-pole, Type AC, In: 25 A, 30 mA, Un AC: 400 V

| Model | |
|--|---|
| product brand name | SENTRON |
| product designation | RCCB |
| design of the product | Instantaneous |
| General technical data | |
| number of poles | 4 |
| size of installation devices according to DIN 43880 | 1 |
| mechanical service life (operating cycles) typical | 10 000 |
| short-circuit current of series fuse maximum permissible | 80 A |
| short-circuit current rating | 10 kA |
| switching function short-term delayed | No |
| overvoltage category | III |
| Supply voltage | |
| supply voltage for testing equipment minimum | 195 V |
| value range of the supply voltage frequency | 50 Hz |
| value range of the operating frequency | 50 Hz |
| value range of the supply voltage at AC | 400 V |
| Protection class | |
| protection class IP | IP20, if the distribution board is installed, with connected conductors |
| Switching capacity | |
| switching capacity current | |
| <ul style="list-style-type: none"> according to IEC 61008-1 rated value | 0.8 kA |
| Dissipation | |
| power loss [W] | |
| <ul style="list-style-type: none"> for rated value of the current at AC in hot operating state per pole | 1.3 W |
| <ul style="list-style-type: none"> maximum | 3.9 W |
| Product details | |
| product feature silicon-free | Yes |
| product extension installable supplementary devices | Yes |
| Connections | |
| connectable conductor cross-section solid | |
| <ul style="list-style-type: none"> minimum | 0.75 mm ² |
| <ul style="list-style-type: none"> maximum | 35 mm ² |
| connectable conductor cross-section stranded | |
| <ul style="list-style-type: none"> minimum | 0.75 mm ² |
| <ul style="list-style-type: none"> maximum | 35 mm ² |
| tightening torque with screw-type terminals | |
| <ul style="list-style-type: none"> minimum | 2.5 N·m |
| <ul style="list-style-type: none"> maximum | 3 N·m |

| | |
|-------------------------------|----------------|
| position of power supply cord | top or bottom |
| Mechanical Design | |
| height | 90 mm |
| width | 72 mm |
| depth | 70 mm |
| installation depth | 70 mm |
| number of modular width units | 4 |
| fastening method | DIN rail (REG) |
| mounting position | any |
| grid spacing | 60 mm |
| net weight | 364 g |

| | |
|---|--------|
| Environmental conditions | |
| ambient temperature during operation | |
| • minimum | -25 °C |
| • maximum | 45 °C |
| ambient temperature during storage minimum | -40 °C |
| number of test cycles for environmental testing according to IEC 60068-2-30 | 28 |

General Product Approval

[Confirmation](#)



[Miscellaneous](#)



| | | | |
|-----|---------------------------|-------------------|-------|
| EMC | Declaration of Conformity | Test Certificates | other |
|-----|---------------------------|-------------------|-------|



[Miscellaneous](#)

[Confirmation](#)

[Miscellaneous](#)

| | | |
|---------|----------------|-------------|
| Railway | Dangerous Good | Environment |
|---------|----------------|-------------|

[Vibration and Shock](#)

[Confirmation](#)

[Transport Information](#)

[Environmental Confirmations](#)

Further information

Siemens has decided to exit the Russian market (see here).

<https://press.siemens.com/global/en/pressrelease/siemens-wind-down-russian-business>

Siemens is working on the renewal of the current EAC certificates.

Please contact your local Siemens office on the status of validity of the EAC certification if you intend to import or offer to supply these products to an EAC relevant market (other than the sanctioned EAEU member states Russia or Belarus).

Information on the packaging

<https://support.industry.siemens.com/cs/ww/en/view/109813875>

Information- and Downloadcenter (Catalogs, Brochures,...)

<http://www.siemens.com/lowvoltage/catalogs>

Industry Mall (Online ordering system)

<https://mall.industry.siemens.com/mall/en/en/Catalog/product?mlfb=5SV4342-0>

Service&Support (Manuals, Certificates, Characteristics, FAQs,...)

<https://support.industry.siemens.com/cs/ww/en/ps/5SV4342-0>

Image database (product images, 2D dimension drawings, 3D models, device circuit diagrams, ...)

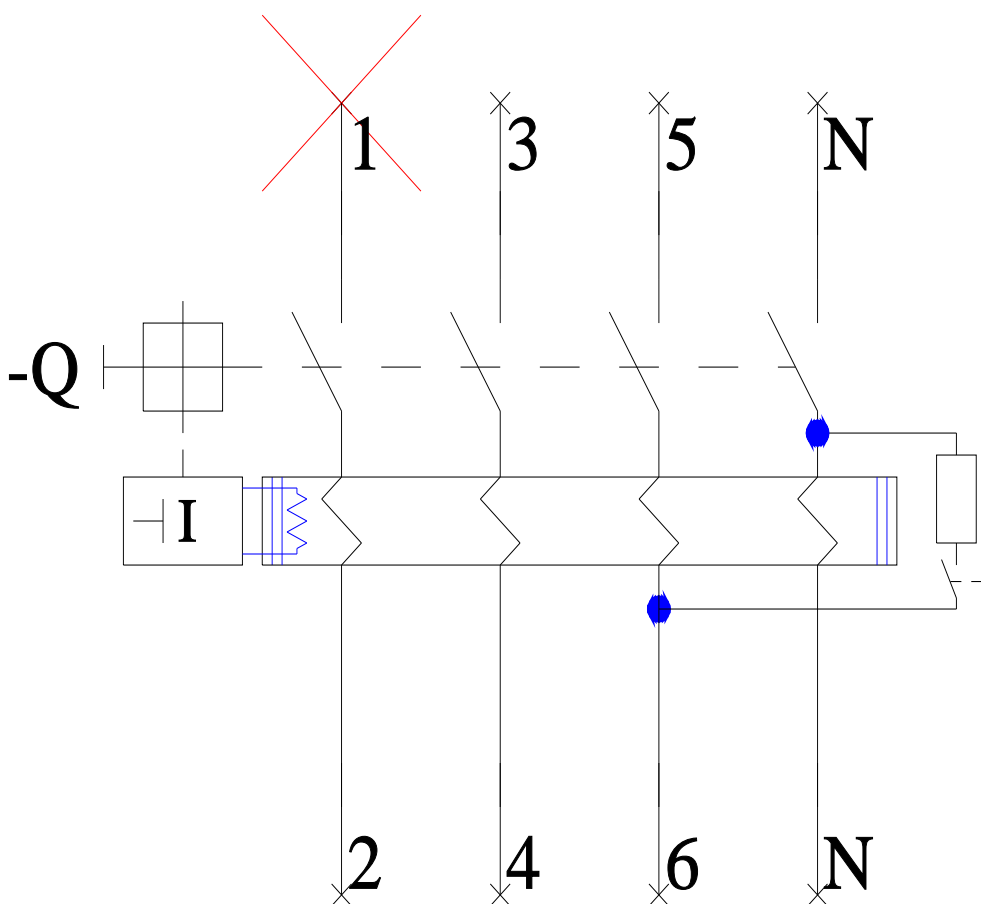
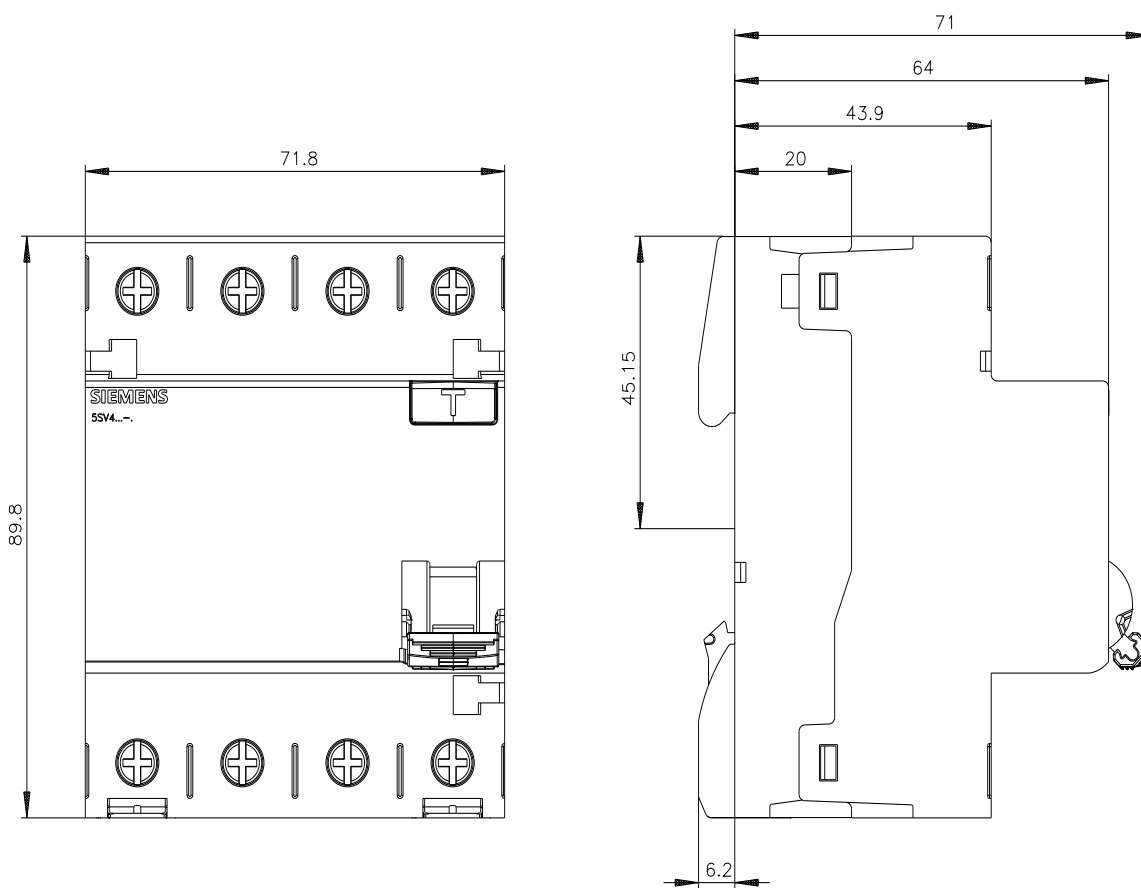
http://www.automation.siemens.com/bilddb/cax_en.aspx?mlfb=5SV4342-0

CAx-Online-Generator

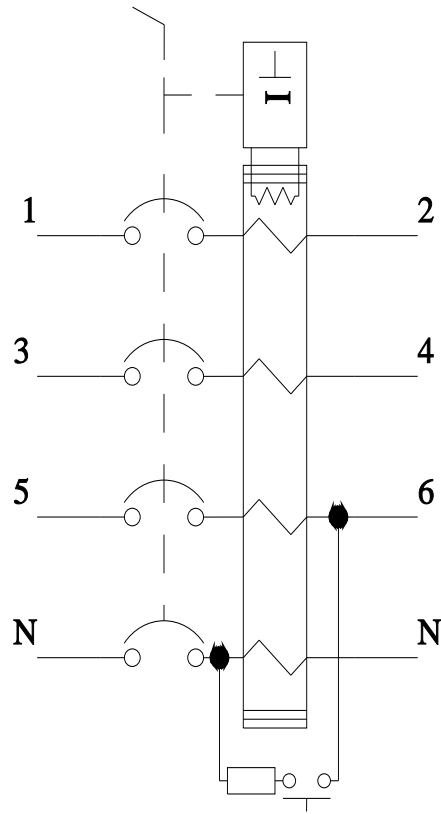
<http://www.siemens.com/cax>

Tender specifications

<http://www.siemens.com/specifications>



-CB



last modified:

3/21/2023 

