



# KER 3125 Y/R

## KER Stainless Steel 16-1600A

- IP66; Enclosure types H23, H32, H02 (AISI 316, acid proof)
- IP65; Enclosure types H03, H04, H06, H07, H08 (AISI 304 as standard, AISI 316 upon request)
- Where hygiene and good protection against corrosion are required
- Padlockable with three locks
- Door interlock with defeat mechanism
- Tested according to IEC 60947-3
- Also available as EMC, and EMC/EX-protected
- **Note!** AI-cables cannot be connected directly to switch terminals. For AI-cable connection please use a bi-metal cable connector, **available here.**

Data subject to change without notice. Always confirm the data is correct from the seller.

**Technical datasheet >>**

Accessories



We use cookies on our website to give you the most relevant experience by remembering your preferences and repeat visits. Read more about cookies from our Cookie Policy. You can consent to the use of such technologies by closing this notice, by interacting with any link or button outside of this notice or by continuing to browse otherwise..

[Cookie settings](#)

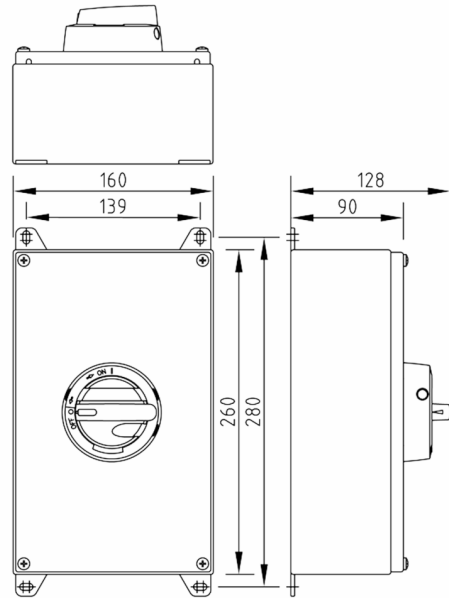
[Read More](#)

[Accept](#)

## Product details

<b>SKU</b>	KER 3125 Y/R
<b>AC-21 400/415 V (A)</b>	160 A
<b>AC-21 690 V (A)</b>	160 A
<b>AC-22 400/415 V (A)</b>	125 A
<b>AC-22 690 V (A)</b>	125 A
<b>AC-23 400/415 V (A/kW)</b>	125 A / 55 kW
<b>AC-23 690 V (A/kW)</b>	80 A / 75 kW
<b>Cable Area to Switch Terminal (mm<sup>2</sup>) / Bolt size</b>	6-70
<b>Color</b>	Yellow / Red
<b>EAN</b>	6419410343654
<b>Enclosure</b>	H32
<b>Enclosure Type</b>	Stainless Steel: Polycarbonate Handle
<b>IP Rating</b>	66
<b>Number of Poles</b>	3
<b>Operation</b>	Front-operated
<b>Switch type</b>	Load Break Switch
<b>Weight (kg)</b>	2.3

## Dimensional drawing



We use cookies on our website to give you the most relevant experience by remembering your preferences and repeat visits. Read more about cookies from our Cookie Policy. You can consent to the use of such technologies by closing this notice, by interacting with any link or button outside of this notice or by continuing to browse otherwise..

[Cookie settings](#)

[Read More](#)

[Accept](#)