

Pin busbar touch-safe, 16 mm² 4-phase, 214 mm long can be cut, with end caps



Figure similar

Model		
product brand name	SENTRON	
product designation	Pin busbar	
design of the product	16 mm ² , 4PH L214mm	
General technical data		
phase number	4	
cross-section	16 mm ²	
Main circuit		
operational current / rated value	80 A	
Product details		
product feature / insulated	Yes	
Connections		
type of electrical connection	Pin	
Mechanical Design		
width	23.7 mm	
length	214 mm	
net weight	151.83 g	
General Product Approval	Declaration of Conformity	other

[Miscellaneous](#)



EG-Konf.

[Miscellaneous](#)

Further information

Information- and Downloadcenter (Catalogs, Brochures,...)

<http://www.siemens.com/lowvoltage/catalogs>

Industry Mall (Online ordering system)

<https://mall.industry.siemens.com/mall/en/en/Catalog/product?mlfb=5ST3715>

Service&Support (Manuals, Certificates, Characteristics, FAQs,...)

<https://support.industry.siemens.com/cs/ww/en/ps/5ST3715>

Image database (product images, 2D dimension drawings, 3D models, device circuit diagrams, ...)

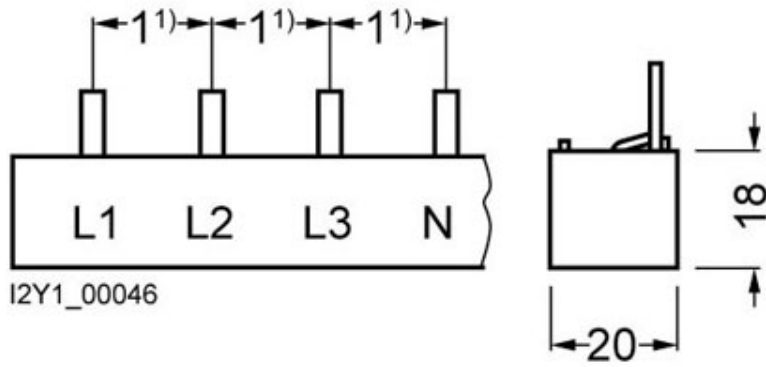
http://www.automation.siemens.com/bilddb/cax_en.aspx?mlfb=5ST3715

CAx-Online-Generator

<http://www.siemens.com/cax>

Tender specifications

<http://www.siemens.com/specifications>



I2Y1_00046

¹⁾ Pin spacings in MW (Modular widths, 1 MW = 18 mm).

