



bus connector extended front mounted; 3 units accessory for: 3VA12

Model	
product brand name	SENTRON
product designation	bus connector extended
accessories	Bus connector extended

Certificates		
General Product Approval	EMV	Test Certificates



EG-Konf.



[Miscellaneous](#)



RCM

[Type Test Certificates/Test Report](#)

Maritime application	other	Environment
----------------------	-------	-------------



LRS

[Confirmation](#)

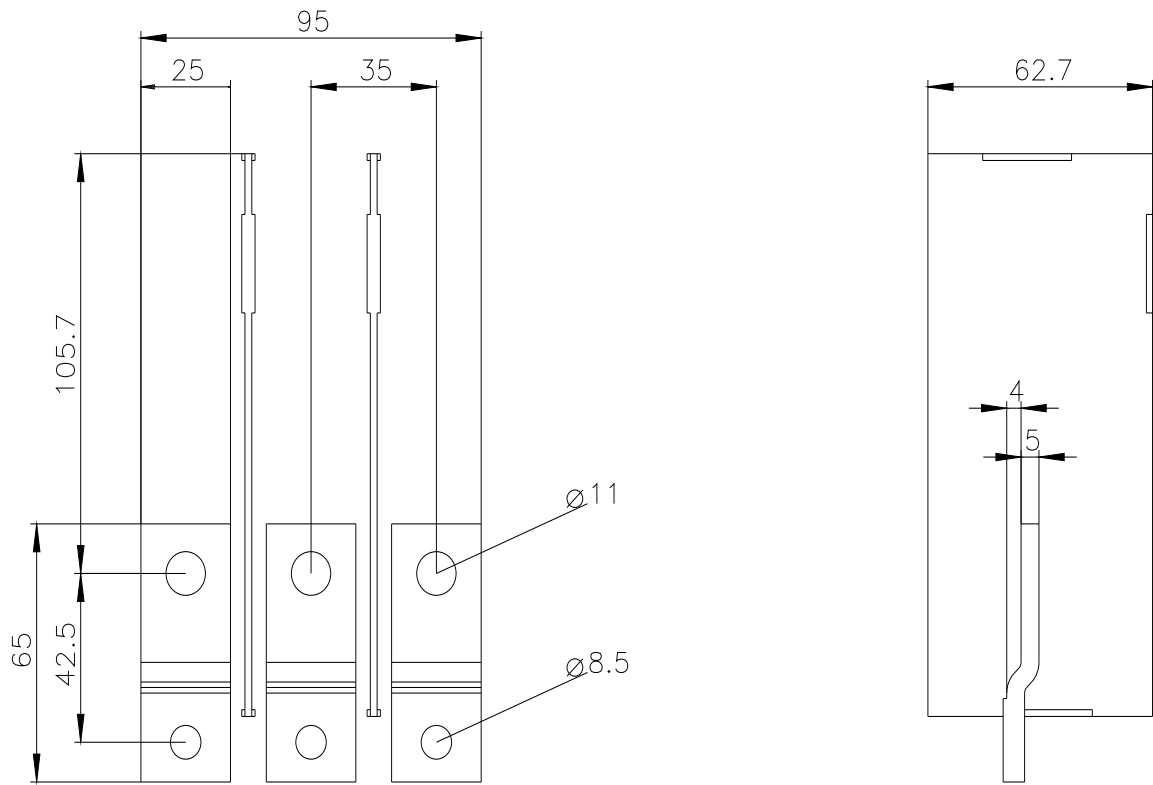
[Miscellaneous](#)

[Environmental Confirmations](#)

[Environmental Confirmations](#)

Further information

- Information on the packaging
<https://support.industry.siemens.com/cs/ww/en/view/109813875>
- Information- and Downloadcenter (Catalogs, Brochures,...)
<http://www.siemens.com/lowvoltage/catalogs>
- Industry Mall (Online ordering system)
<https://mall.industry.siemens.com/mall/en/en/Catalog/product?mlfb=3VA9253-0QB00>
- Service&Support (Manuals, Certificates, Characteristics, FAQs,...)
<https://support.industry.siemens.com/cs/ww/en/ps/3VA9253-0QB00>
- Image database (product images, 2D dimension drawings, 3D models, device circuit diagrams, ...)
http://www.automation.siemens.com/bilddb/cax_en.aspx?mlfb=3VA9253-0QB00
- CAX-Online-Generator
<http://www.siemens.com/cax>
- Tender specifications
<http://www.siemens.com/specifications>



last modified:

5/26/2025 

