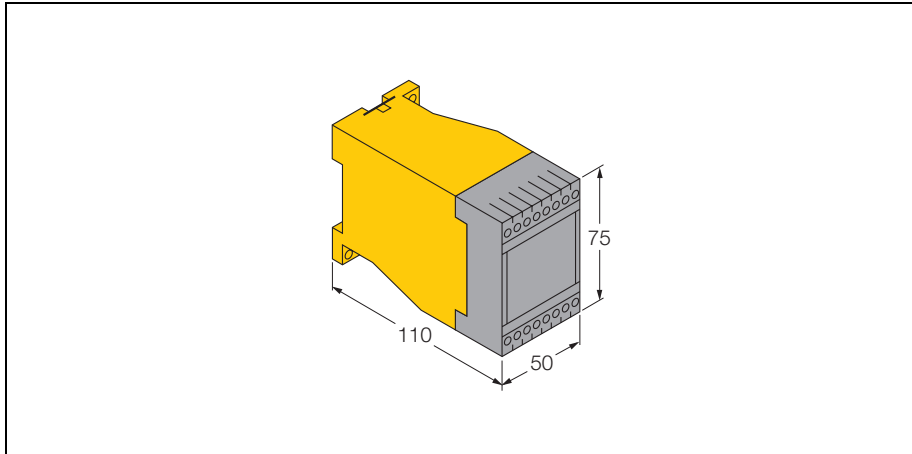
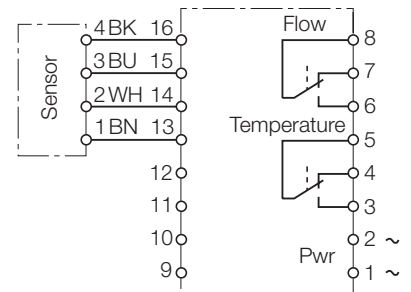


signal processor
MS96 for flow sensors
MS96-12R/230VAC



- for connection of a standard flow sensor
- adjustment via potentiometer
- 6 LEDs for display of the flow state
- temperature monitoring adjustable in a range of 20...+100 °C
- switch-off delay adjustable in a range of 0...25 s
- wire-break monitoring
- 184...265 VAC
- 2 change-over, relay outputs for flow and temperature

Wiring diagram



Insertion and inline sensors are supplied with voltage by the processor devices which also process and display the measured signals. Devices with MK96..., MS96... and MC96... housing styles are available. The individual housing styles are designed for different operating voltages and feature various output and supplementary functions. For intrinsically safe flow sensors it is required to use signal processors with intrinsically safe control circuits, i.e. the series MS96...Ex... and MC96...Ex... .

Type	MS96-12R/230VAC
Ident-No.	5231000
Output function	change-over, relay output
Switching voltage	≤ 250 B AC / 60 B DC
Switching current	≤ 2 A AC / 2 A DC
Switching capacity	≤ 500 BA / 60 B _T
Operating voltage	184... 265VAC
No-load current I ₀	≤ 35mA
Operating range	dependent on connected sensor
Housing	terminal chambers, polycarbonate/ABS
Dimensions (w x l x h)	110 x 50 x 75 mm
Attachment	DIN rail (DIN 50022)
Degree of protection (terminals/housing)	IP20 / IP40
Ambient temperature	-20... 60°C
Display 'Setpoint value undershoot '	LED red
Display 'Setpoint value achieved '	LED yellow
Display 'Setpoint value overshoot '	4 x LEDs green